

## ▶ 3/4" Heat Sequencing Thermostats **KSD SERIES**

Quality engineered heat sequencers designed for a variety of applications, such as baseboard heaters, heat pumps, and electric furnaces.

Senasys Heat Sequencers are quality engineered sequencing thermostats specifically for a variety applications including baseboard heaters, heat pumps, and electric furnaces. A sequencer is a type of snapdisc that uses multiple sets of contacts and a solid-state positive temperature coefficient (PTC) heater to switch on a delay. This causes different segments of a system to be turned on and off at different times. One to three sequencing switches are attached to a plate to form a complete sequencing unit.

To ensure that a safe combination of heat sequencer and application is achieved, the purchaser must determine product suitability for their individual requirements.

- PTC heater for stable operation over a wide range of temperatures and voltages
- Accurate Air And Surface Temperature Regulation
- Snap-action bimetal disc for high-speed contact separation
- Welded construction for integrity of current-carrying components
- Single-pole, single-throw (SPST), single-pole, double-throw (SPDT), or double-pole, single-throw (DPST) models available.
- Can be used in high current applications, carrying up to 25 amps at 277VAC for over 100,000 cycles.
- Operating temperature of -40°F to 150°F (-40°C to 65°C)
- Temperature calibrations are preset, and all units are subject to 100% mechanical and thermal inspection.
- Great for applications where heating elements need to be turn on in sequence
- Time-delayed electrical switching
- Turn on and disconnection time range of 1 to 160 seconds available.
- Available in a variety of terminal and mounting configurations, and other custom options to meet needs of original equipment manufacturers.
- Recognized by UL/cUL

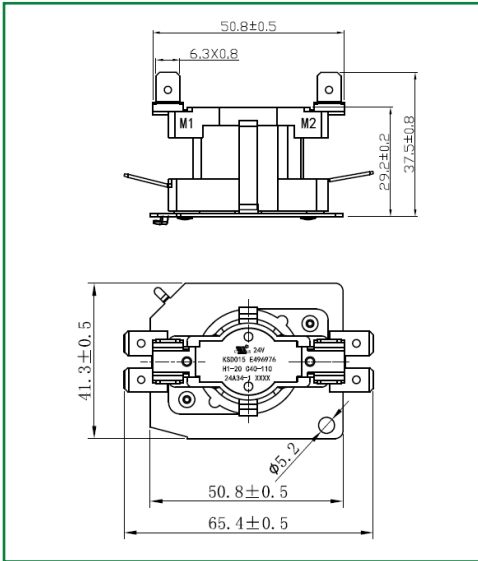
Flip for complete fact sheet. >>>

## Heat Sequencer Dimensions

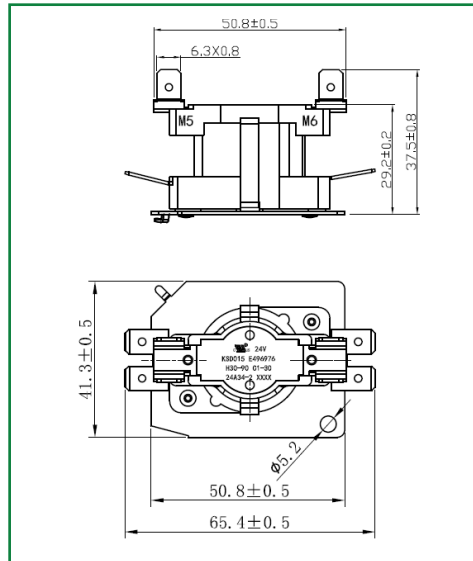
Our standard heat sequencers are 1/4" quick-connect terminals with 0° and 45° terminal bends with a 90° orientation. Other terminal options, custom bends and orientations are available. Please consult factory for more information.

Additionally, we offer a variety of custom brackets. If you have a requirement that is not shown here, please consult factory.

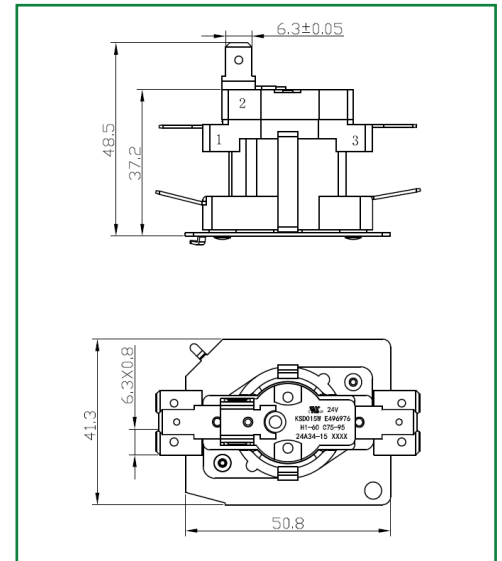
KSD015-1



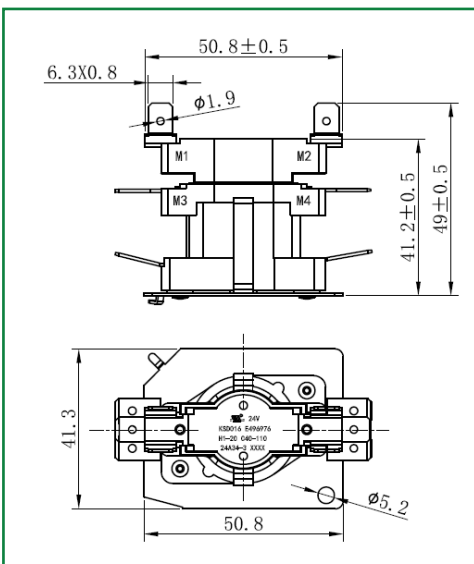
KSD015-2



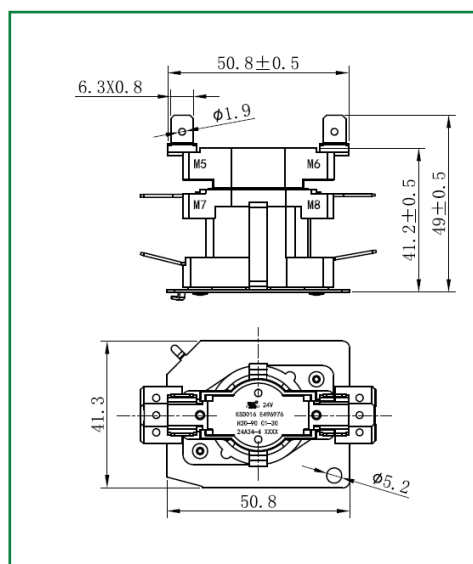
KSD015W



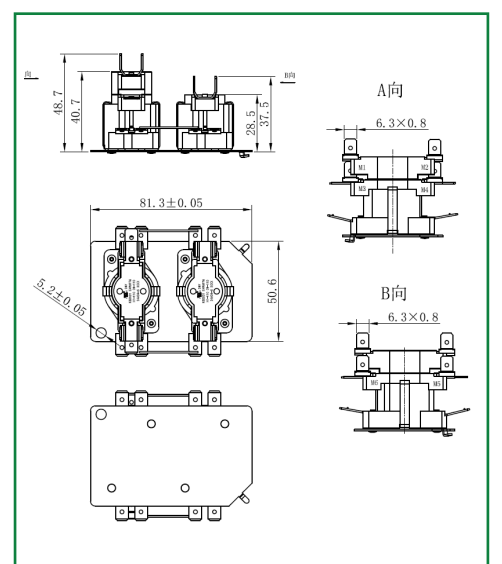
KSD016-3



KSD016-4

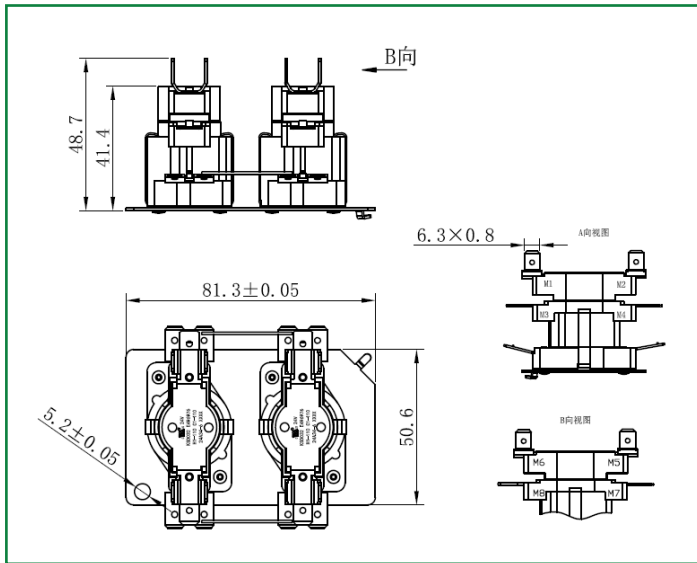


KSD031-5

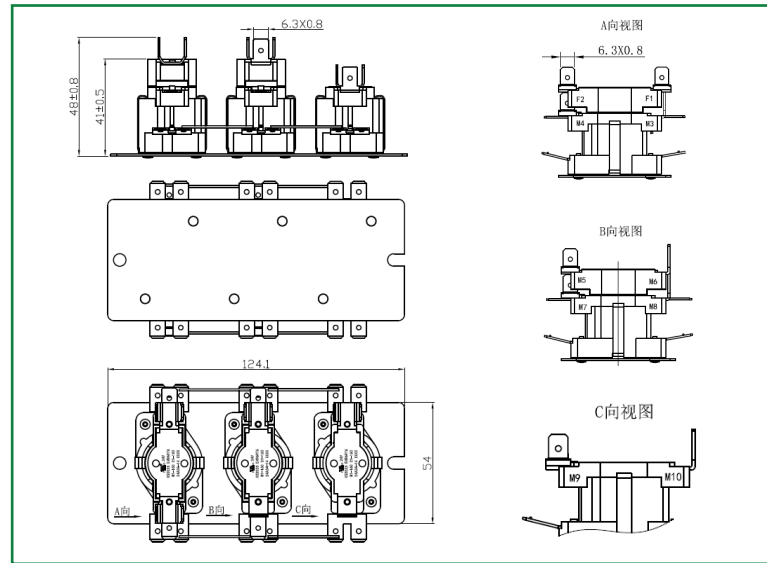


Heat Sequencer Dimensions (cont.)

KSD032-6



KSD033-14



Heat Sequencer Standard Options

Below are our standard heat sequencer thermostats. Although we can provide other time-delay configurations, along with special testing to meet application requirements. Please consult factory for more information.

Heat Sequencer Thermostats (KSD Series)				
Part Number	Time-Delay (seconds)		Switch Type	Voltage Rating (AC)
	On-Time	Off-Time		
KSD015-1	1 to 20	40 to 110	SPST	120/240/277
KSD015-2	30 to 90	1 to 30	SPST	120/240/277
KSD015W	1 to 60	75 to 95	SPDT	120/240/277
KSD016-3	1 to 20	40 to 110	DPST	120/240/277
KSD016-4	30 to 90	1 to 30	DPST	120/240/277
KSD031-5	1 to 24, 30 to 90	45 to 110, 1 to 40	DPST + SPST	120/240/277
KSD032-6	1 to 24, 30 to 90	45 to 110, 1 to 40	2 DPST	120/240/277
KSD033-14	1 to 30, 35 to 160, 40 to 160	40 to 160, 1 to 40	1 DPST + 3 SPST	120/240/277