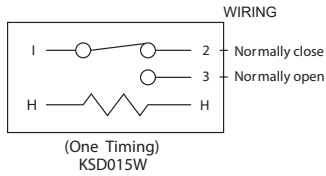
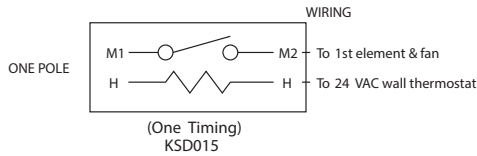


FAN DELAY OFF

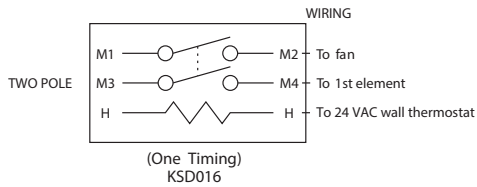


FOR ONE ELEMENT FURNACES

COMBINATION Fan and Heater Loads

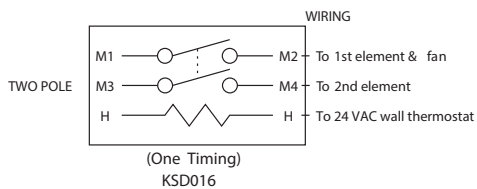


SEPARATE Fan and Heater Loads

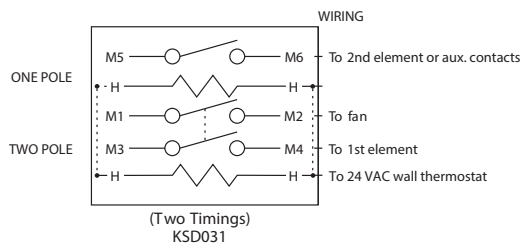


FOR TWO ELEMENT FURNACES

COMBINATION Fan and Heater Loads

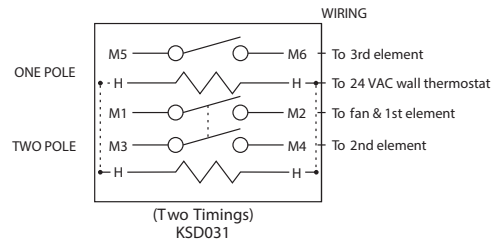


SEPARATE Fan and Heater Loads

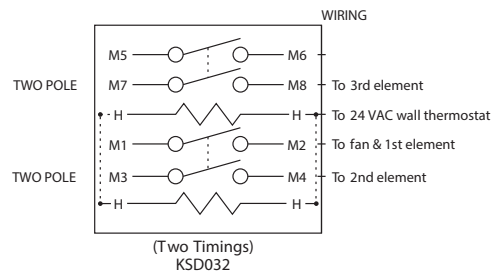


FOR THREE ELEMENT FURNACES WITH COMBINATION FAN & HEATER LOADS

SINGLE-STAGE Room Thermostat

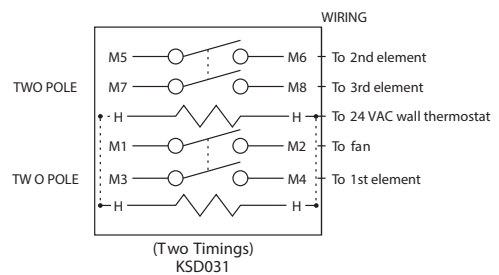


TWO-STAGE Room Thermostat Option

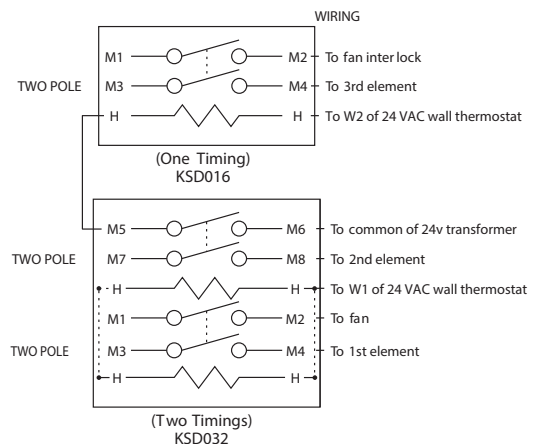


FOR THREE ELEMENT FURNACES WITH SEPARATE FAN & HEATER LOADS

SINGLE-STAGE Room Thermostat



TWO-STAGE Room Thermostat Option

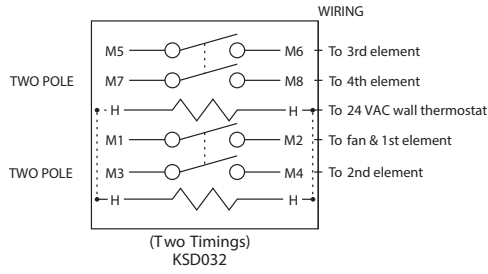


..... DOTTED LINE BETWEEN "H" TERMINAL IS A FACTORY-INSTALLED JUMPER

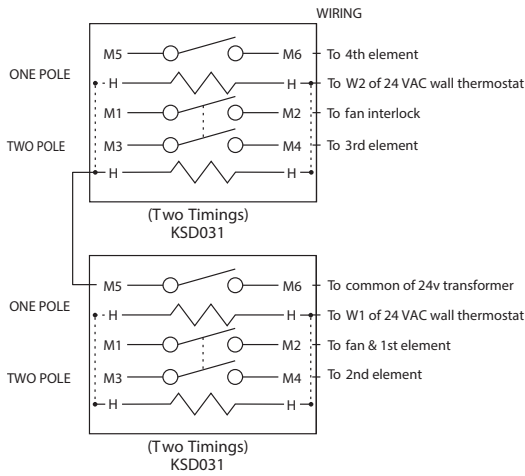
FOR FOUR ELEMENT FURNACES

COMBINATION Fan and Heater Loads

SINGLE-STAGE Room Thermostat

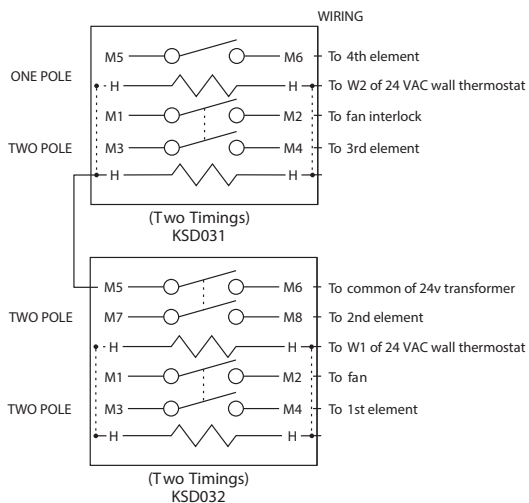


TWO-STAGE Room Thermostat Option after 2nd Element



SEPARATE Fan and Heater Loads

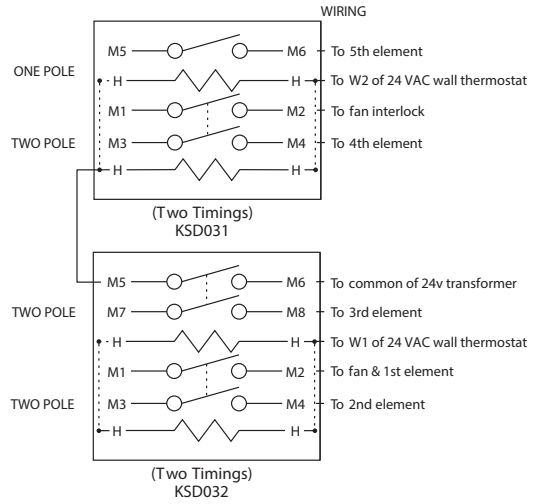
TWO-STAGE Room Thermostat Option after 2nd Element



FOR FIVE ELEMENT FURNACES

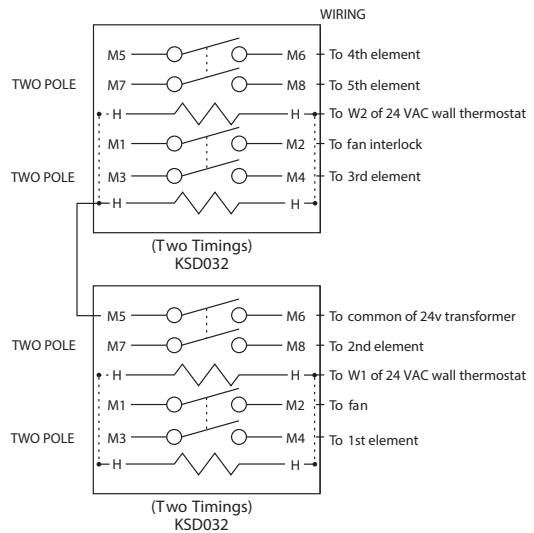
COMBINATION Fan and Heater Loads

TWO-STAGE Room Thermostat Option after 3rd Element



SEPARATE Fan and Heater Loads

TWO-STAGE Room Thermostat Options After 2nd Element

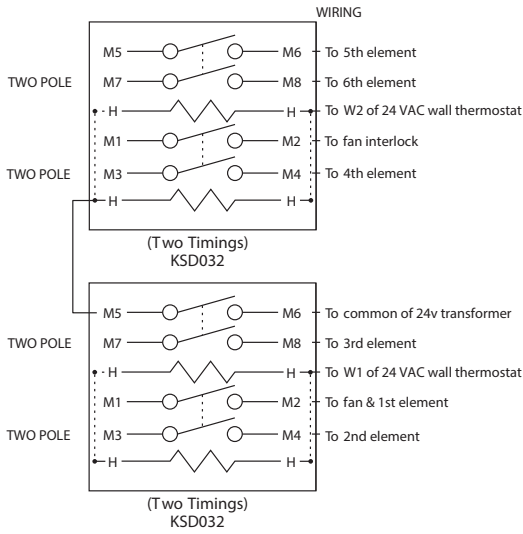


..... DOTTED LINE BETWEEN "H" TERMINAL IS A FACOTRY-INSTALLED JUMPER

FOR SIX ELEMENT FURNACES

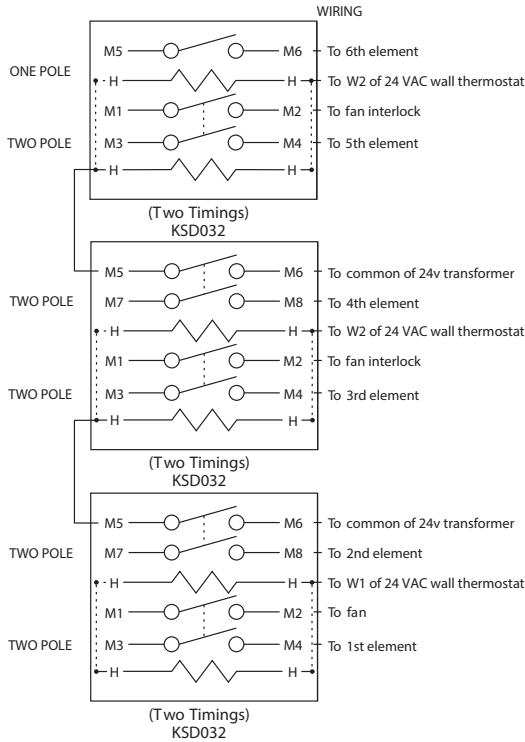
COMBINATION Fan and Heater Loads

TWO-STAGE Room Thermostat Options After 3rd Element



SEPARATE Fan and Heater Loads

TWO-STAGE Room Thermostat Option After 2nd or 4th Element

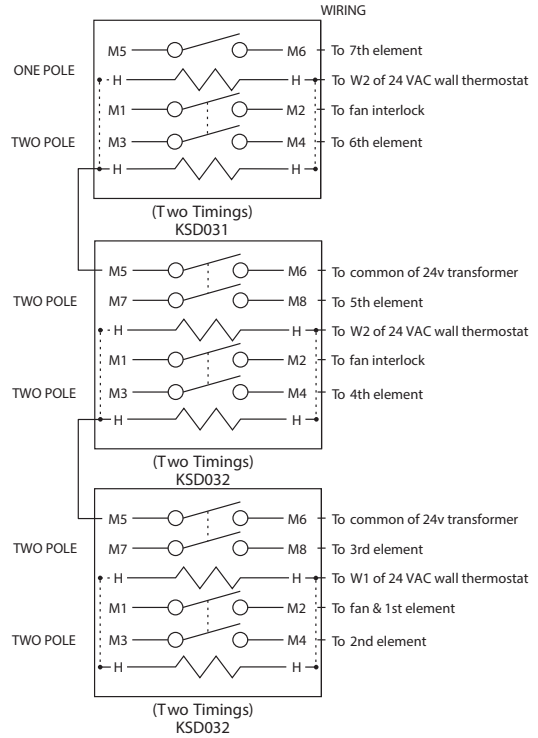


..... DOTTED LINE BETWEEN "H" TERMINAL IS A FACTORY-INSTALLED JUMPER

FOR SEVEN ELEMENT FURNACES

COMBINATION Fan and Heater Loads

TWO-STAGE Room Thermostat Option After 3rd or 5th Element



SEPARATE Fan and Heater Loads

TWO-STAGE Room Thermostat Option After 3rd or 5th Element

